



**4th Congress of the World Union of Wound Healing Societies**

# **WUWHS2012 Commercial Exhibition**

## **Exhibitors' Guide**

**Dates: September 2-6, 2012**

**Venue: Pacifico Yokohama, Yokohama, Japan**

**Hosted by:**

**Japanese Society of Pressure Ulcers**

**Japan Society for Surgical Wound Care**

**Japanese Society of Limb Salvage & Podiatric Medicine**

**Japanese Society of Wound, Ostomy and Continence Management**

## Greeting

The Congress of the World Union of Wound Healing Societies is a quadrennial event for doctors, nurses, nutritionists, other clinical practitioners and basic researchers to discuss better techniques and approaches for the treatment of wounds and the many pathophysiologies they exhibit. At the 3rd Congress of the World Union of Wound Healing Societies in Toronto, Canada (June 2008), the decision was made to hold the next Congress in Japan in 2012.

The main theme for the 4th Congress is "Better Care, Better Life." All treatments ultimately seek to provide better lives and better care. The accumulation of incremental improvements is required to achieve better results in the wound treatment domain and enhance healthcare as our demographics age.

Japanese society is aging with particular rapidity, and this is bringing renewed importance to the treatment, nursing and care of older populations. We are confident that a successful Congress will make significant contributions to the development of wound treatment.

To enhance the Congress, we will be holding a commercial exhibition that will allow companies active in relevant treatment domains the opportunity to display their products to a broad spectrum of participants.

### [Congress highlights]

- Valuable opportunity to take part in Japan in an international Congress that is held only once every 4 years
- Enhancement of healthcare in the face of rapidly aging demographics
- Gathering of 4,000 doctors, nurses and other medical professionals from around the world, with the participation of 6,000 Japanese medical professionals attending the 14th Japanese Society of Pressure Ulcers Meetings held just prior to the Congress
- Total of 30,000 visitors expected
- Poster presentation space and participant break corners set up in the exhibition hall to encourage interaction between exhibitors and participants

The 14th Annual Congress of Japanese Society of Pressure Ulcers will be held just prior to the Congress on September 1 to 2, giving exhibitors the opportunity to contact larger numbers of participants by exhibiting to two meetings.

In conclusion, we would like to offer you our best wishes for the continuing success and prosperity of your enterprise.

August 2011



Kiyonori Harii, MD, PhD Congress President

4th Congress of the World Union of Wound Healing Societies



## Exhibition Information

- Name Commercial Exhibition at the 4th Congress of the World Union of Wound Healing Societies (WUWHS2012 Commercial Exhibition)
  
- Exhibition Schedule September 1 to September 6, 2012 [6-day period]  
  
You are also encouraged to exhibit at the 14th Annual Congress of Japanese Society of Pressure Ulcers, which will be held on Saturday and Sunday, September 1-2, immediately prior to the 4th Congress of the World Union of Wound Healing Societies.
  
- Number of participants expected Approximately 4,000 (2,500 domestic, 1,500 international)
  
- Venue Pacifico Yokohama  
  
1-1, 1-Chome Minato Mirai, Nishi-ku, Yokohama 220-0012  
  
TEL: +81-45-221-2155 (general information)  
  
<http://www.pacifico.co.jp/english/index.html>
  
- Exhibition area Exhibition Halls A, B and C, Pacifico Yokohama  
  
We plan to set up poster presentations, an Internet cafe and other facilities in the exhibition hall. The 14th Annual Congress of Japanese Society of Pressure Ulcers will be held immediately prior to the Congress and is anticipated to bring large numbers of visitors.
  
- Congress secretariat WUWHS2012 Congress Secretariat  
  
Contact person; Kikuchi(Ms.) and Komata(Ms.)  
  
C/O Congress Corp., Kosai Kaikan Building, 5-1 Kojimachi, Chiyoda-ku, Tokyo 102-8481  
  
TEL: +81-3-5216-5318; FAX: +81-3-5216-5552  
  
E-mail: [wuwhs2012@congre.co.jp](mailto:wuwhs2012@congre.co.jp)

## Exhibition Details

### 1. Exhibition fee

|   | Type             | Unit    | Size                            | Exhibition fee                 | Exhibitor badge |
|---|------------------|---------|---------------------------------|--------------------------------|-----------------|
| 1 | Standard Space   | 1 booth | 4 square meters<br>(W2m x D2 m) | JPY 400,000<br>(including tax) | 3 badges        |
| 2 | Additional Space | 1 booth | 4 square meters<br>(W2m x D2 m) | JPY 300,000<br>(including tax) | 2 badges        |

- \* The fees above also include the exhibition fee for the 14th Annual Congress of Japanese Society of Pressure Ulcers held on September 1 to 2.
- \* Additional space is limited to companies that apply for package sponsorship and standard space.

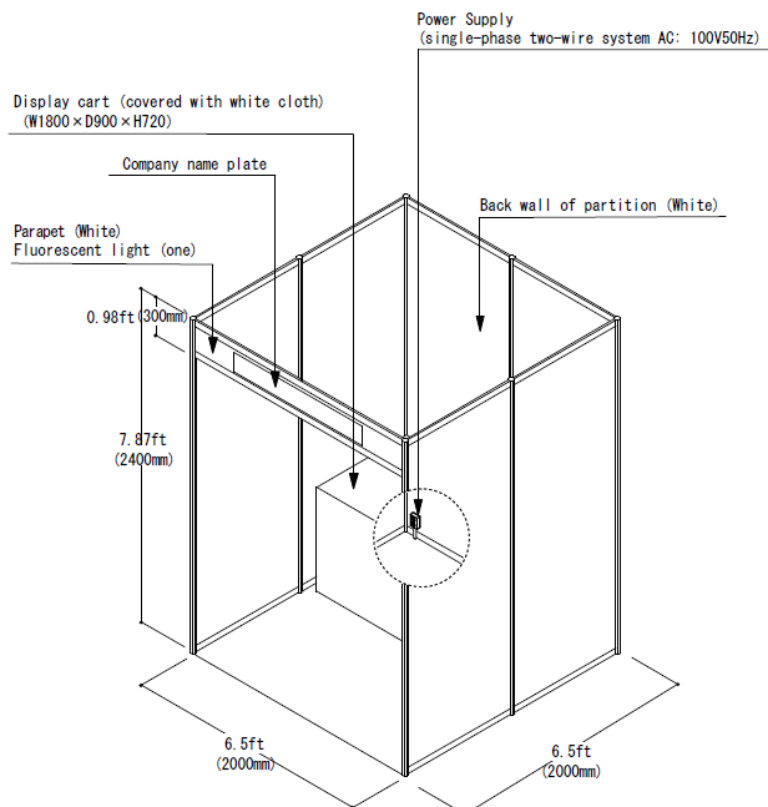
### 2. Unit Specification

The Prices mentioned above do not include back panels, side panels, and anything else. The space with based set up will be additionally charged JPY100, 000 (including consumption tax; see diagram as below)

Please contact to the Secretariat for the further information.

In addition, the height of one booth including all displays and ornaments cannot be exceeded 13.12 ft (4m). Permission from the Exhibition Committee is necessary for special exceptions.

No suspended objects from the ceiling are allowed in the allocated space.



3. Number booths offered (tentative) 70 booths (excluding package sponsors).  
Booth assignments will be determined by the Exhibition Committee and secretariat.
4. Notes on the exhibits
- 1) Contact the secretariat in advance regarding the display of products that have not been approved under the Japanese Pharmaceuticals Business Law.
  - 2) The exhibition space is not bonded. Exhibits from overseas should be handled as domestic cargo or imported under the ATA Carnet system (contact the secretariat for details).
  - 3) You are prohibited from exchanging exhibits for cash within the venue. However, this may be permitted in limited circumstances with the approval of the Exhibition Committee.
  - 4) Exhibits should be looked after the exhibitors at their own responsibility. The organizers will bear no responsibility whatsoever, including responsibility for compensation, for theft, loss or damage to the exhibits. You should therefore ensure that its exhibits are fully covered by insurance, etc.
5. Electricity The exhibition fee includes electrical construction and use of up to 500 W (100 V, 50 Hz). You will be charged for any excess (JPY5,000 per 500 W excess).
6. Water, other facilities You are in principle prohibited from using water. Use of propane gas and compressed air is strictly prohibited.
7. Venue management While the organizers will exert every effort to manage and protect the venue and exhibits, they bear no liability for damages in the event of natural disaster, other acts of God, theft, loss or exhibitor negligence.
8. Changes, termination Congress dates, times and venues are subject to change if required by exceptional circumstances. Exhibition applications cannot be canceled in the event of changes.  
  
No compensation will be provided for damages resulting from changes.
9. Carry-in, set-up (tentative) **Friday, August 31, 2012, 13:00-21:00**  
You will be assigned individual carry-in times according to the nature of your exhibit.
10. Break-down, removal (tentative) **Thursday, September 6, 2012, 15:00-18:00**

11. Exhibitor badge                      The exhibitor badges you are given on the day of the event do not entitle you to admission to the presentations or other related programs of the 4th Congress of the World Union of Wound Healing Societies
12. Information for exhibitors            Further information concerning additional power outlets, equipment and other arrangements will be provided in the “Exhibitors’ Manual” to be issued later. We will contact you with the details of booth assignments, carry-in times, decorations and management approximately 3 months prior to the event.
13. Listing in program                    Your contact information, company logo and PR statement will be included in the programs (which also serve as exhibit guidebooks) distributed to participants. For more information, please see the “Exhibitors’ Manual” to be issued later.
14. Application                            Fill in the required information on the attached "Exhibit Application" and return it to the Secretariat by e-mail, facsimile.
- ※Deadline: Thursday, May 31, 2012**
- However, applications will be closed when the booths are filled.
- There will be no cancellations or refunds after applications has been completed.
15. Payment of exhibition fee            We will send you an invoice after your application has been received. Please make payment by transfer to the designated bank account by the designated deadline.
- Your application will be formally completed when your transfer has been confirmed.
16. Contact Office                        WUWHS2012 Congress Secretariat, C/O Congress Corp.
- Kosai Kaikan Building, 5-1 Kojimachi, Chiyoda-ku, Tokyo 102-8481
- TEL: +81-3-5216-5318; FAX: +81-3-5216-5552
- E-mail: [wuwhs2012@congre.co.jp](mailto:wuwhs2012@congre.co.jp)